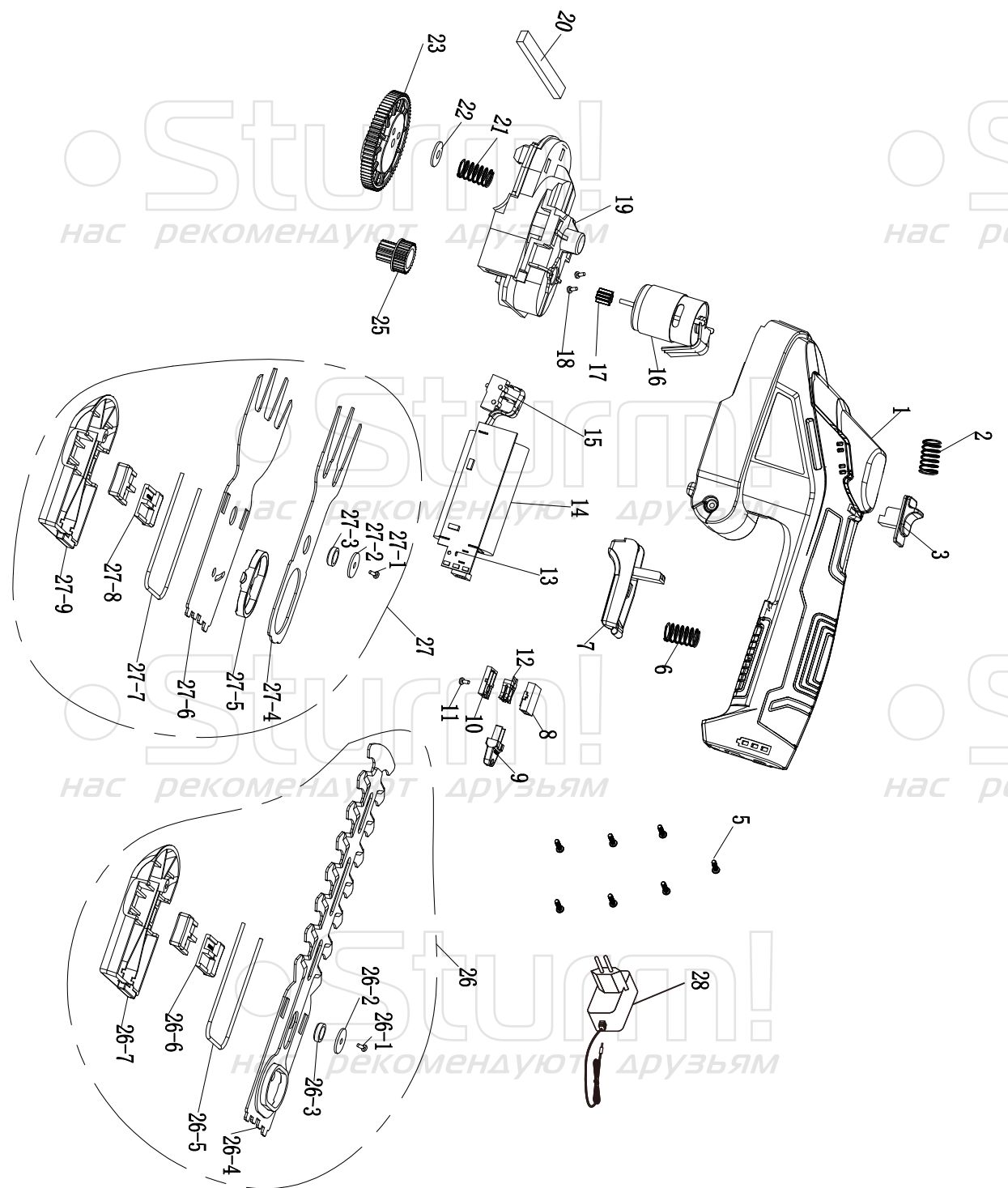


# CHT18



NO.	DESCRIPTION
1	Housing
2	Spring
3	Safety locking button
5	Screw ST3X12
6	Spring
7	Switch trigger
8	Safety female plug upper cover
9	Security key
10	Safety female plug lower cover
11	Screw ST2X5
12	Safety female plug
13	Battery cell PCB
14	Battery cell
15	switch
16	Motor
17	Motor gear
18	screw M2.5X5
19	Gear box
20	Dust-proof sponge
21	Spring
22	washerφ5×φ11.5×0.5
23	Big gear
25	Middle gear
26	Hedge trimmer blade assembly
26-1	screw ST3.5X12
26-2	washerφ3.5×φ16×1.6
26-3	Bushing
26-4	Hedge trimmer blade
26-5	Lock button steel wire
26-6	Lock button
26-7	Down cover
27	Grass shear blade
27-1	screw ST3.5X12
27-2	washerφ3.5×φ16×1.6
27-3	Bushing
27-4	upper blade
27-5	Fixed Bushing
27-6	lower blade
27-7	Lock button steel wire
27-8	Lock button
27-9	Down cover
28	Charger

CHT18-EX-RUS220909